

Mini indexing plungers

Steel / Stainless Steel, Covered indexing mechanism, with and without rest position

SPECIFICATION

Types

- Type **B**: without rest position
- Type **C**: with rest position

Version in Steel ST

zinc plated, blue passivated

Version in Stainless Steel AISI 303 NI

Pin
Stainless Steel AISI 303

Spring
Stainless Steel AISI 301

Knob Plastic (Polyamide PA)

- black, matt
- red, RAL 3000 RT
- not removable

INFORMATION

Mini indexing plungers GN 822 are distinguished for their small dimensions. They have been designed for installation in thin walled sheet metal constructions.

They are inserted into position by holding them by the serrated knob. The spanner flats on the lock nut are revealed when retracting the pin, so that the mini indexing plunger can be easily tightened by means of a fork spanner.

With Type C the knob can be turned by 30° and a notch keeps the knob in this position.

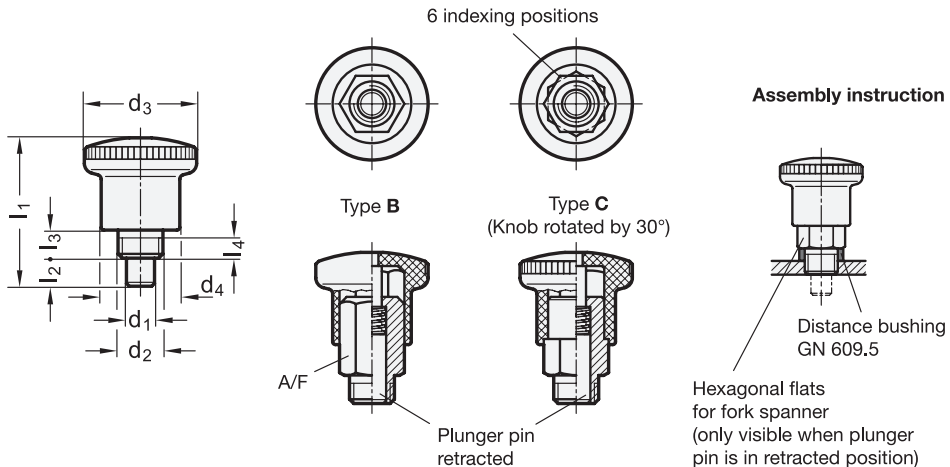
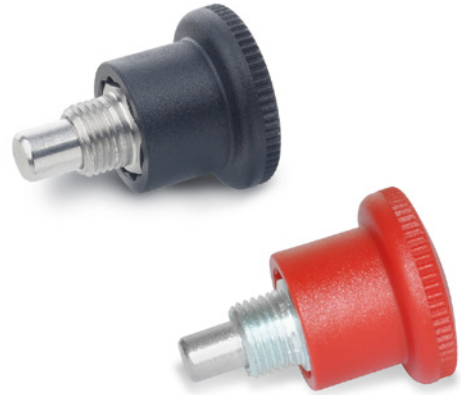
- Range of indexing plungers (see page 738)

ACCESSORY

Distance bushings GN 609.5 (see page 810) are to be ordered separately.

TECHNICAL INFORMATION

- Stainless Steel characteristics (see page A26)
- Plastic characteristics (see page A2)
- Load rating information (see page A42)





GN 822

Description	d1 Pin 0/-0.06 Bore +0.05/+0.1	d2	d3	d4	l1	l2 min.	l3	l4 min.	A/F	Spring load in N ≈ initial	Spring load in N ≈ end	⚖
GN 822-4-B-ST	4	M 8 x 0.75	21	15	26.5	5	5	3.5	10	4.5	12	14
GN 822-5-B-ST	5	M 8 x 0.75	21	15	26.5	5	5	3.5	10	4.5	12	14
GN 822-6-B-ST	6	M 10 x 1	25	18	34	7	7	4.5	12	5	18	25
GN 822-7-B-ST	7	M 10 x 1	25	18	34	7	7	4.5	12	5	18	26
GN 822-4-C-ST	4	M 8 x 0.75	21	15	26.5	5	5	3.5	10	4.5	12	13
GN 822-5-C-ST	5	M 8 x 0.75	21	15	26.5	5	5	3.5	10	4.5	12	14
GN 822-6-C-ST	6	M 10 x 1	25	18	34	7	7	4.5	12	5	18	23
GN 822-7-C-ST	7	M 10 x 1	25	18	34	7	7	4.5	12	5	18	24
GN 822-4-B-ST-RT	4	M 8 x 0.75	21	15	26.5	5	5	3.5	10	4.5	12	13
GN 822-5-B-ST-RT	5	M 8 x 0.75	21	15	26.5	5	5	3.5	10	4.5	12	14
GN 822-6-B-ST-RT	6	M 10 x 1	25	18	34	7	7	4.5	12	5	18	25
GN 822-7-B-ST-RT	7	M 10 x 1	25	18	34	7	7	4.5	12	5	18	26
GN 822-4-C-ST-RT	4	M 8 x 0.75	21	15	26.5	5	5	3.5	10	4.5	12	13
GN 822-5-C-ST-RT	5	M 8 x 0.75	21	15	26.5	5	5	3.5	10	4.5	12	14
GN 822-6-C-ST-RT	6	M 10 x 1	25	18	34	7	7	4.5	12	5	18	24
GN 822-7-C-ST-RT	7	M 10 x 1	25	18	34	7	7	4.5	12	5	18	25

GN 822-NI

STAINLESS STEEL

Description	d1 Pin 0/-0.06 Bore +0.05/+0.1	d2	d3	d4	l1	l2 min.	l3	l4 min.	A/F	Spring load in N ≈ initial	Spring load in N ≈ end	⚖
GN 822-4-B-NI	4	M 8 x 0.75	21	15	26.5	5	5	3.5	10	4.5	12	13
GN 822-5-B-NI	5	M 8 x 0.75	21	15	26.5	5	5	3.5	10	4.5	12	14
GN 822-6-B-NI	6	M 10 x 1	25	18	34	7	7	4.5	12	5	18	25
GN 822-7-B-NI	7	M 10 x 1	25	18	34	7	7	4.5	12	5	18	26
GN 822-4-C-NI	4	M 8 x 0.75	21	15	26.5	5	5	3.5	10	4.5	12	14
GN 822-5-C-NI	5	M 8 x 0.75	21	15	26.5	5	5	3.5	10	4.5	12	14
GN 822-6-C-NI	6	M 10 x 1	25	18	34	7	7	4.5	12	5	18	24
GN 822-7-C-NI	7	M 10 x 1	25	18	34	7	7	4.5	12	5	18	25
GN 822-4-B-NI-RT	4	M 8 x 0.75	21	15	26.5	5	5	3.5	10	4.5	12	13
GN 822-5-B-NI-RT	5	M 8 x 0.75	21	15	26.5	5	5	3.5	10	4.5	12	14
GN 822-6-B-NI-RT	6	M 10 x 1	25	18	34	7	7	4.5	12	5	18	25
GN 822-7-B-NI-RT	7	M 10 x 1	25	18	34	7	7	4.5	12	5	18	26
GN 822-4-C-NI-RT	4	M 8 x 0.75	21	15	26.5	5	5	3.5	10	4.5	12	10
GN 822-5-C-NI-RT	5	M 8 x 0.75	21	15	26.5	5	5	3.5	10	4.5	12	20
GN 822-6-C-NI-RT	6	M 10 x 1	25	18	34	7	7	4.5	12	5	18	24
GN 822-7-C-NI-RT	7	M 10 x 1	25	18	34	7	7	4.5	12	5	18	30